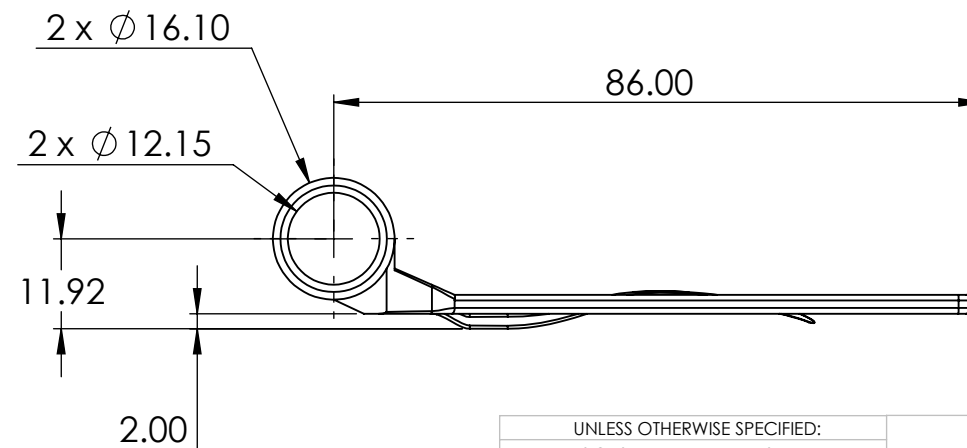
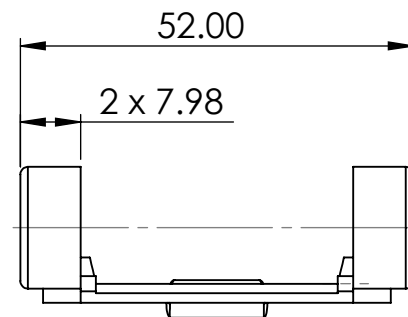
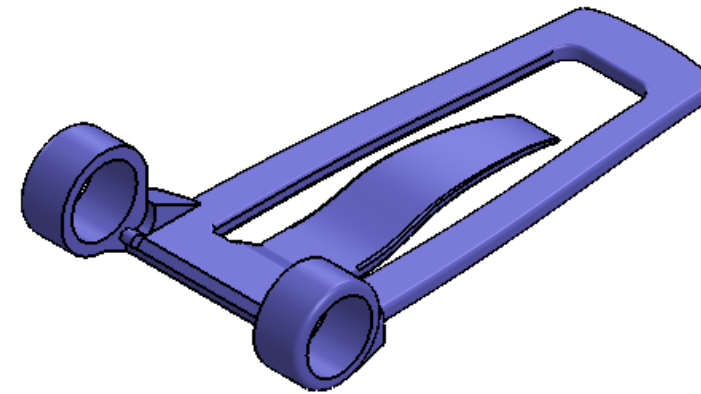
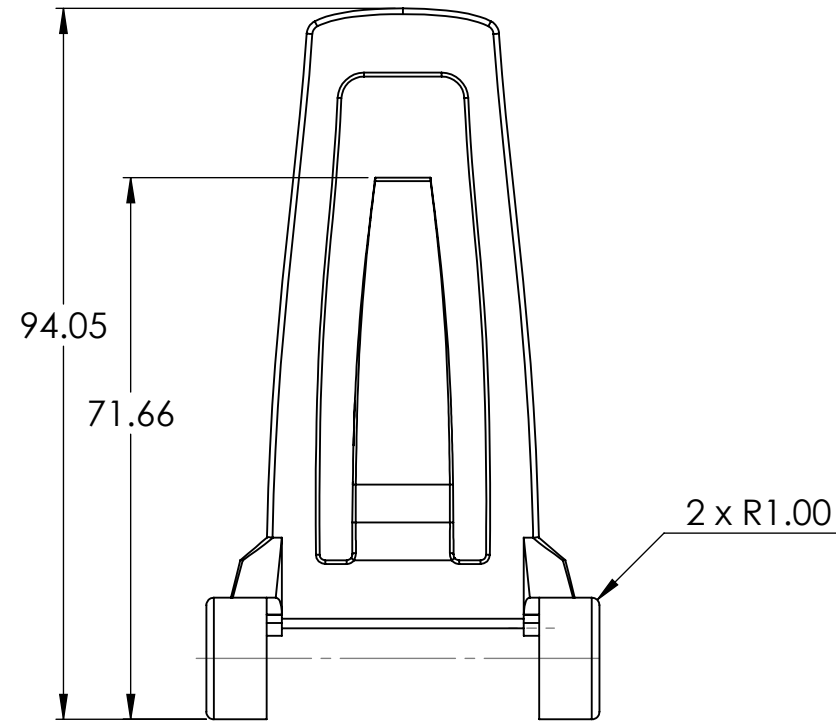


NOTES:

1. LOCTITE BONDING SYSTEM SHOULD BE USED DURING ASSEMBLY.

REVISIONS			
REV.	DESCRIPTION	DATE	APPROVED
1	INITIAL RELEASE	5/6/14	ERS



UNLESS OTHERWISE SPECIFIED:

1. DIMENSIONS ARE IN MILLIMETERS	
2. TOLERANCES:	
00.00 TO 03.00 ± 0.08	080.00 TO 117.50 ± 0.28
03.00 TO 06.00 ± 0.10	117.50 TO 180.00 ± 0.33
06.00 TO 18.00 ± 0.13	180.00 TO 250.00 ± 0.36
18.00 TO 30.00 ± 0.15	250.00 TO 315.00 ± 0.38
30.00 TO 50.00 ± 0.18	315.00 TO 400.00 ± 0.46
50.00 TO 80.00 ± 0.23	400.00 TO 500.00 ± 0.51
ANGULAR TOLERANCE: ± 0.25°	
INTERPRET GD&T PER: ASME Y14.5M	
MATERIAL	ABS
FINISH	
DO NOT SCALE DRAWING	

METRIC DIMENSIONS

PROPRIETARY AND CONFIDENTIAL
 THE INFORMATION CONTAINED IN THIS DRAWING IS THE SOLE PROPERTY OF ESIERRA ENGINEERING. ANY REPRODUCTION IN PART OR AS A WHOLE WITHOUT THE WRITTEN PERMISSION OF ESIERRA ENGINEERING IS PROHIBITED.

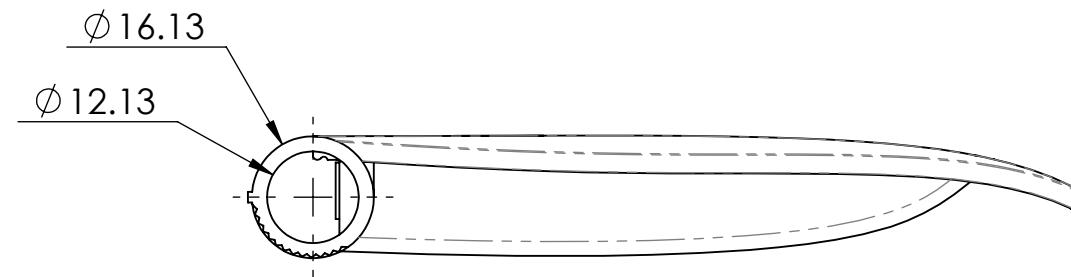
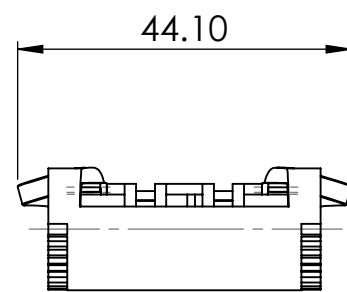
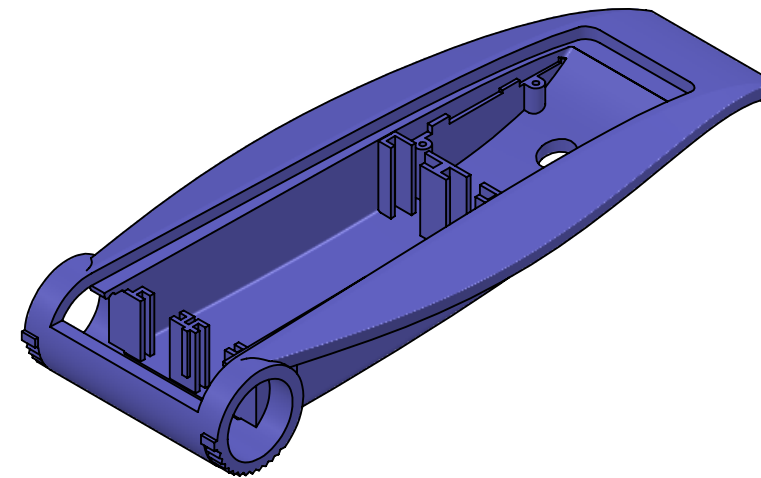
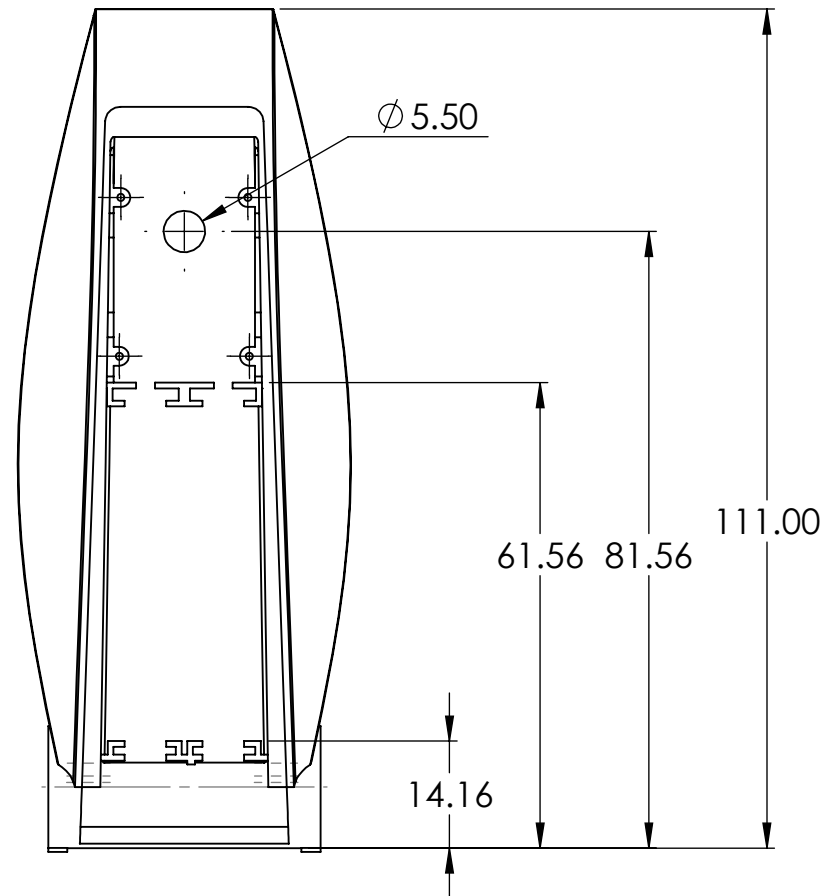
	NAME	DATE
DRAWN	ERS	6/5/14
CHECKED	ERS	6/5/14
ENG APPR.	ERS	6/5/14
MFG APPR.	ERS	6/5/14
Q.A.		
COMMENTS:		

ESIERRA ENGINEERING		
TITLE: Book Clip Switch		
SIZE B	DWG. NO. A45-009926	REV 1
SCALE: 1:1	WEIGHT:	SHEET 1 OF 1

NOTES:

1. LOCTITE BONDING SYSTEM SHOULD BE USED DURING ASSEMBLY.

REVISIONS			
REV.	DESCRIPTION	DATE	APPROVED
1	INITIAL RELEASE	5/6/14	ERS



UNLESS OTHERWISE SPECIFIED:

1. DIMENSIONS ARE IN MILLIMETERS	
2. TOLERANCES:	
00.00 TO 03.00 ± 0.08	080.00 TO 117.50 ± 0.28
03.00 TO 06.00 ± 0.10	117.50 TO 180.00 ± 0.33
06.00 TO 18.00 ± 0.13	180.00 TO 250.00 ± 0.36
18.00 TO 30.00 ± 0.15	250.00 TO 315.00 ± 0.38
30.00 TO 50.00 ± 0.18	315.00 TO 400.00 ± 0.46
50.00 TO 80.00 ± 0.23	400.00 TO 500.00 ± 0.51
ANGULAR TOLERANCE: ± 0.25°	
INTERPRET GD&T PER: ASME Y14.5M	
MATERIAL	ABS
FINISH	
DO NOT SCALE DRAWING	

METRIC DIMENSIONS

PROPRIETARY AND CONFIDENTIAL
 THE INFORMATION CONTAINED IN THIS DRAWING IS THE SOLE PROPERTY OF ESIERRA ENGINEERING. ANY REPRODUCTION IN PART OR AS A WHOLE WITHOUT THE WRITTEN PERMISSION OF ESIERRA ENGINEERING IS PROHIBITED.

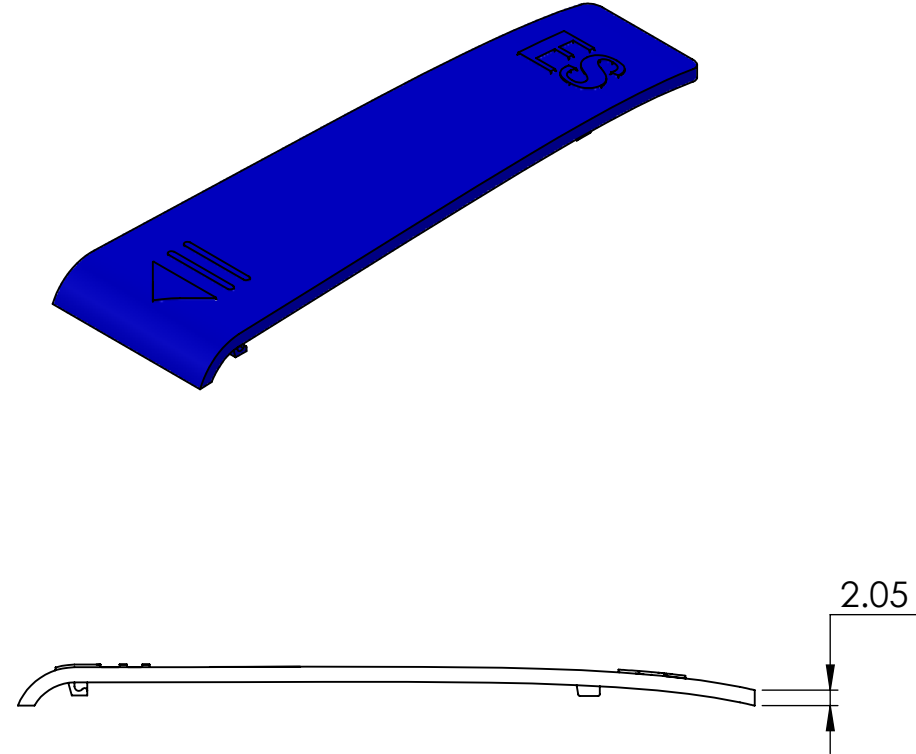
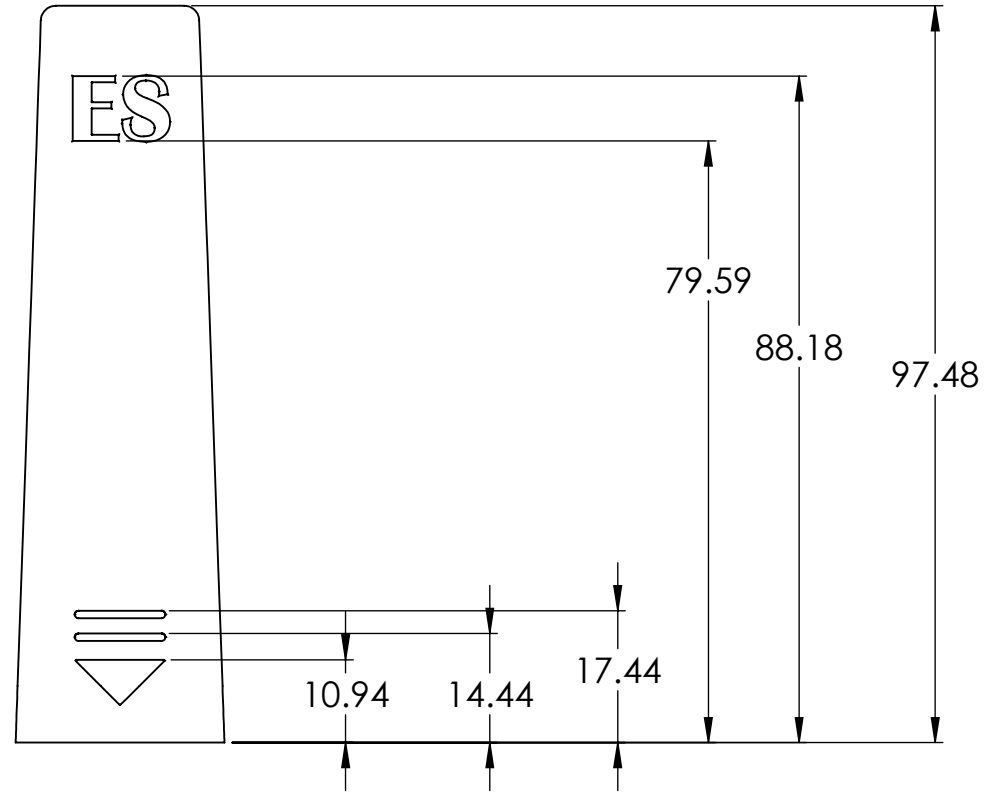
	NAME	DATE
DRAWN	ERS	5/6/14
CHECKED	ERS	5/6/14
ENG APPR.	ERS	5/6/14
MFG APPR.	ERS	5/6/14
Q.A.		
COMMENTS:		

ESIERRA ENGINEERING		
TITLE: Main Housing		
SIZE B	DWG. NO. A45-009927	REV 1
SCALE: 1:1	WEIGHT:	SHEET 1 OF 1

NOTES:

1. LOCTITE BONDING SYSTEM SHOULD BE USED DURING ASSEMBLY.

REVISIONS			
REV.	DESCRIPTION	DATE	APPROVED
1	INITIAL RELEASE	5/6/14	ERS

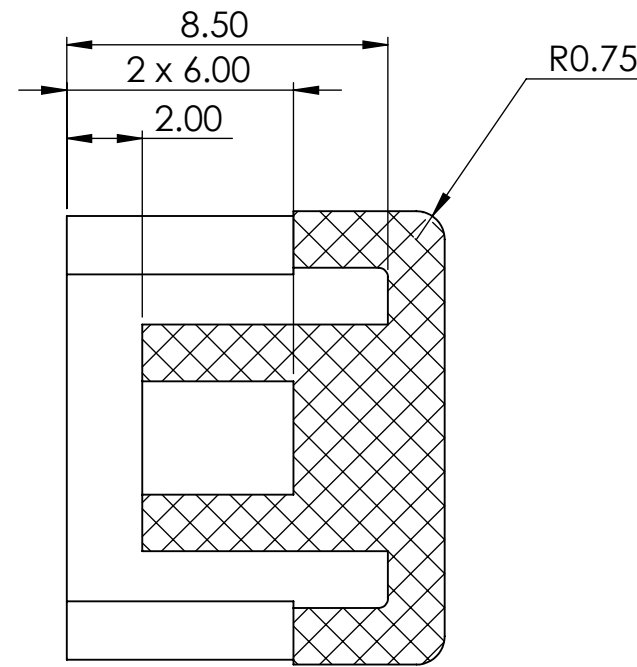
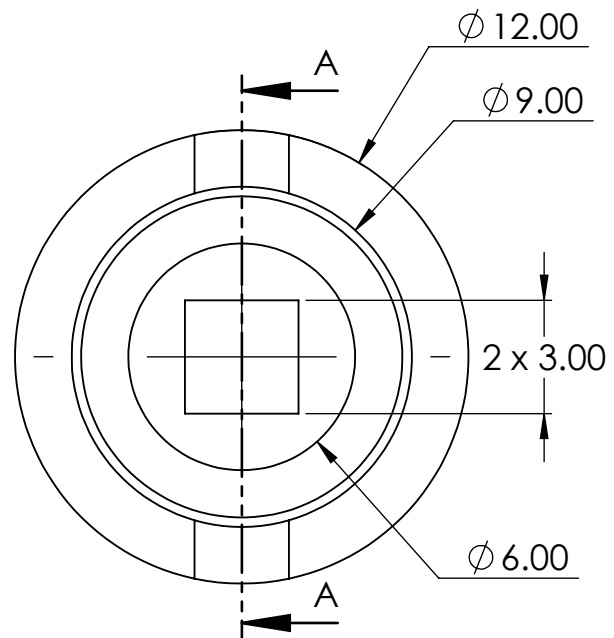
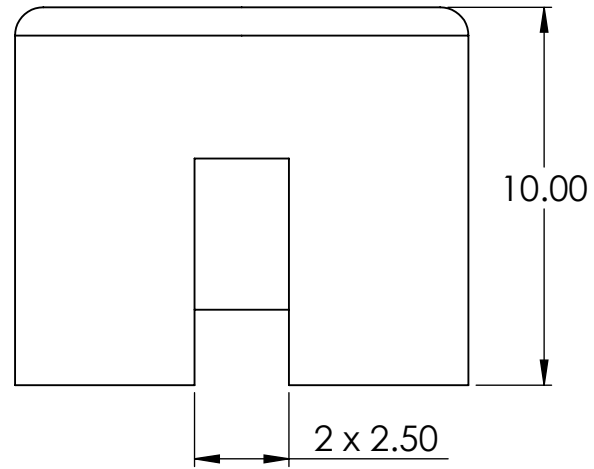


<p>METRIC DIMENSIONS</p> <p>PROPRIETARY AND CONFIDENTIAL</p> <p>THE INFORMATION CONTAINED IN THIS DRAWING IS THE SOLE PROPERTY OF ESIERRA ENGINEERING. ANY REPRODUCTION IN PART OR AS A WHOLE WITHOUT THE WRITTEN PERMISSION OF ESIERRA ENGINEERING IS PROHIBITED.</p>		<p>UNLESS OTHERWISE SPECIFIED:</p> <p>1. DIMENSIONS ARE IN MILLIMETERS</p> <p>2. TOLERANCES:</p> <p>00.00 TO 03.00 ± 0.08 080.00 TO 117.50 ± 0.28</p> <p>03.00 TO 06.00 ± 0.10 117.50 TO 180.00 ± 0.33</p> <p>06.00 TO 18.00 ± 0.13 180.00 TO 250.00 ± 0.36</p> <p>18.00 TO 30.00 ± 0.15 250.00 TO 315.00 ± 0.38</p> <p>30.00 TO 50.00 ± 0.18 315.00 TO 400.00 ± 0.46</p> <p>50.00 TO 80.00 ± 0.23 400.00 TO 500.00 ± 0.51</p> <p>ANGULAR TOLERANCE: ± 0.25°</p> <p>INTERPRET GD&T PER: ASME Y14.5M</p> <p>MATERIAL: ABS</p> <p>FINISH:</p> <p>DO NOT SCALE DRAWING</p>	<table border="1"> <tr> <td></td> <td>NAME</td> <td>DATE</td> </tr> <tr> <td>DRAWN</td> <td>ERS</td> <td>5/6/14</td> </tr> <tr> <td>CHECKED</td> <td>ERS</td> <td>5/6/14</td> </tr> <tr> <td>ENG APPR.</td> <td>ERS</td> <td>5/6/14</td> </tr> <tr> <td>MFG APPR.</td> <td>ERS</td> <td>5/6/14</td> </tr> <tr> <td>Q.A.</td> <td></td> <td></td> </tr> <tr> <td colspan="3">COMMENTS:</td> </tr> </table>		NAME	DATE	DRAWN	ERS	5/6/14	CHECKED	ERS	5/6/14	ENG APPR.	ERS	5/6/14	MFG APPR.	ERS	5/6/14	Q.A.			COMMENTS:			<p>ESIERRA ENGINEERING</p> <p>TITLE: Battery Cover</p> <table border="1"> <tr> <td>SIZE</td> <td>DWG. NO.</td> <td>REV</td> </tr> <tr> <td>B</td> <td>A45-009928</td> <td>1</td> </tr> </table> <p>SCALE: 1:1 WEIGHT: SHEET 1 OF 1</p>	SIZE	DWG. NO.	REV	B	A45-009928	1
	NAME	DATE																													
DRAWN	ERS	5/6/14																													
CHECKED	ERS	5/6/14																													
ENG APPR.	ERS	5/6/14																													
MFG APPR.	ERS	5/6/14																													
Q.A.																															
COMMENTS:																															
SIZE	DWG. NO.	REV																													
B	A45-009928	1																													

NOTES:

1. LOCTITE BONDING SYSTEM SHOULD BE USED DURING ASSEMBLY.

REVISIONS			
REV.	DESCRIPTION	DATE	APPROVED
1	INITIAL RELEASE	5/6/14	ERS



SECTION A-A

UNLESS OTHERWISE SPECIFIED:

1. DIMENSIONS ARE IN MILLIMETERS
 2. TOLERANCES:

00.00 TO 03.00 ± 0.08	080.00 TO 117.50 ± 0.28
03.00 TO 06.00 ± 0.10	117.50 TO 180.00 ± 0.33
06.00 TO 18.00 ± 0.13	180.00 TO 250.00 ± 0.36
18.00 TO 30.00 ± 0.15	250.00 TO 315.00 ± 0.38
30.00 TO 50.00 ± 0.18	315.00 TO 400.00 ± 0.46
50.00 TO 80.00 ± 0.23	400.00 TO 500.00 ± 0.51

ANGULAR TOLERANCE: ± 0.25°
 INTERPRET GD&T PER: ASME Y14.5M

MATERIAL: PTFE (general)
 FINISH:
 DO NOT SCALE DRAWING

METRIC DIMENSIONS

PROPRIETARY AND CONFIDENTIAL
 THE INFORMATION CONTAINED IN THIS DRAWING IS THE SOLE PROPERTY OF ESIERRA ENGINEERING. ANY REPRODUCTION IN PART OR AS A WHOLE WITHOUT THE WRITTEN PERMISSION OF ESIERRA ENGINEERING IS PROHIBITED.

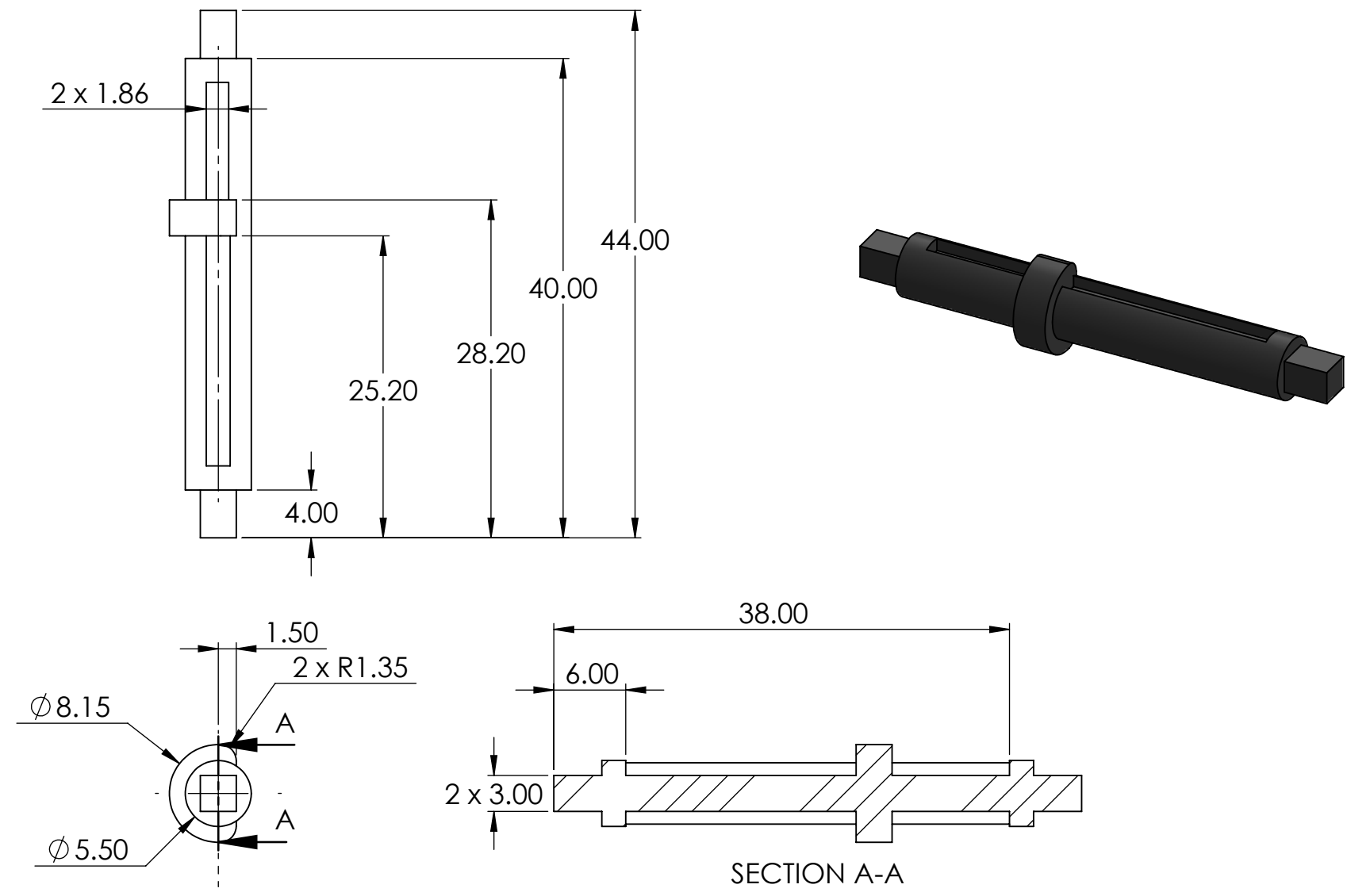
	NAME	DATE
DRAWN	ERS	5/6/14
CHECKED	ERS	5/6/14
ENG APPR.	ERS	5/6/14
MFG APPR.	ERS	5/6/14
Q.A.		
COMMENTS:		

ESIERRA ENGINEERING		
TITLE: Pivot Cap		
SIZE B	DWG. NO. A45-009929	REV 1
SCALE: 5:1	WEIGHT:	SHEET 1 OF 1

NOTES:

1. LOCTITE BONDING SYSTEM SHOULD BE USED DURING ASSEMBLY.

REVISIONS			
REV.	DESCRIPTION	DATE	APPROVED
1	INITIAL RELEASE	5/6/14	ERS



METRIC DIMENSIONS
PROPRIETARY AND CONFIDENTIAL
 THE INFORMATION CONTAINED IN THIS DRAWING IS THE SOLE PROPERTY OF ESIERA ENGINEERING. ANY REPRODUCTION IN PART OR AS A WHOLE WITHOUT THE WRITTEN PERMISSION OF ESIERA ENGINEERING IS PROHIBITED.

UNLESS OTHERWISE SPECIFIED:
 1. DIMENSIONS ARE IN MILLIMETERS
 2. TOLERANCES:
 00.00 TO 03.00 ± 0.08 080.00 TO 117.50 ± 0.28
 03.00 TO 06.00 ± 0.10 117.50 TO 180.00 ± 0.33
 06.00 TO 18.00 ± 0.13 180.00 TO 250.00 ± 0.36
 18.00 TO 30.00 ± 0.15 250.00 TO 315.00 ± 0.38
 30.00 TO 50.00 ± 0.18 315.00 TO 400.00 ± 0.46
 50.00 TO 80.00 ± 0.23 400.00 TO 500.00 ± 0.51
 ANGULAR TOLERANCE: ± 0.25°
 INTERPRET GD&T PER: ASME Y14.5M

MATERIAL	CA
FINISH	
DO NOT SCALE DRAWING	

	NAME	DATE
DRAWN	ERS	5/6/14
CHECKED	ERS	5/6/14
ENG APPR.	ERS	5/6/14
MFG APPR.	ERS	5/6/14
Q.A.	ERS	5/6/14

COMMENTS:

ESIERRA ENGINEERING

TITLE: **Switching Axel**

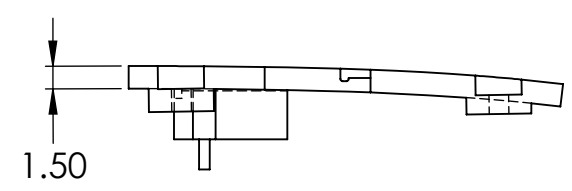
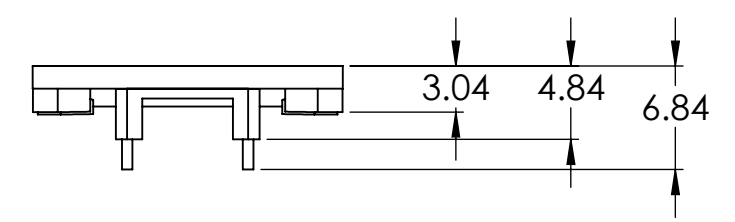
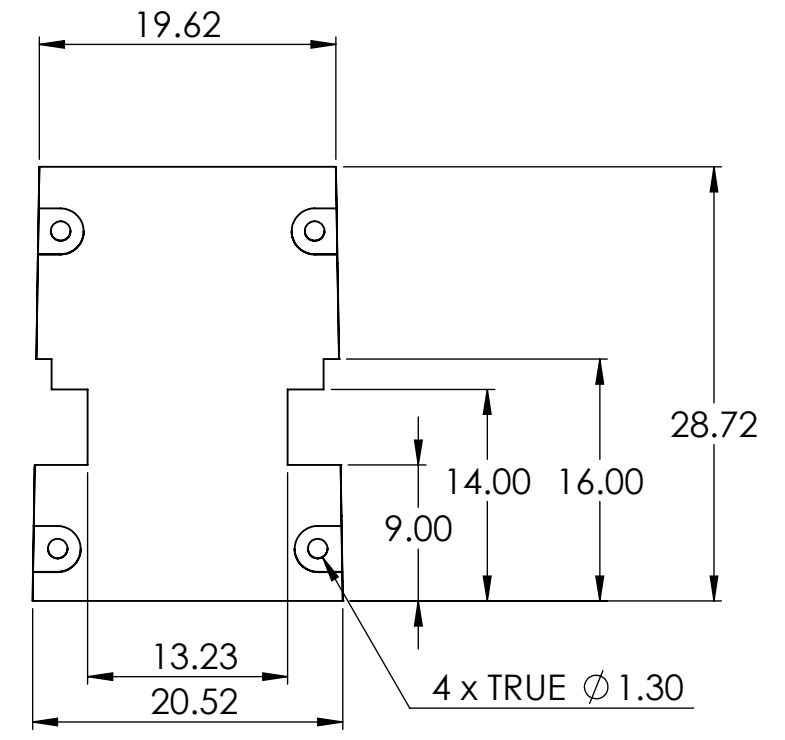
SIZE	DWG. NO.	REV
B	A45-009932	1

SCALE: 2:1 WEIGHT: SHEET 1 OF 1

NOTES:

1. LOCTITE BONDING SYSTEM SHOULD BE USED DURING ASSEMBLY.

REVISIONS			
REV.	DESCRIPTION	DATE	APPROVED
1	INITIAL RELEASE	5/6/14	ERS



UNLESS OTHERWISE SPECIFIED:

1. DIMENSIONS ARE IN MILLIMETERS	
2. TOLERANCES:	
00.00 TO 03.00 ± 0.08	080.00 TO 117.50 ± 0.28
03.00 TO 06.00 ± 0.10	117.50 TO 180.00 ± 0.33
06.00 TO 18.00 ± 0.13	180.00 TO 250.00 ± 0.36
18.00 TO 30.00 ± 0.15	250.00 TO 315.00 ± 0.38
30.00 TO 50.00 ± 0.18	315.00 TO 400.00 ± 0.46
50.00 TO 80.00 ± 0.23	400.00 TO 500.00 ± 0.51
ANGULAR TOLERANCE: ± 0.25°	
INTERPRET GD&T PER: ASME Y14.5M	
MATERIAL	ABS
FINISH	
DO NOT SCALE DRAWING	

METRIC DIMENSIONS

PROPRIETARY AND CONFIDENTIAL

THE INFORMATION CONTAINED IN THIS DRAWING IS THE SOLE PROPERTY OF ESIERRA ENGINEERING. ANY REPRODUCTION IN PART OR AS A WHOLE WITHOUT THE WRITTEN PERMISSION OF ESIERRA ENGINEERING IS PROHIBITED.

	NAME	DATE
DRAWN	ERS	5/6/14
CHECKED	ERS	5/6/14
ENG APPR.	ERS	5/6/14
MFG APPR.	ERS	5/6/14
Q.A.	ERS	5/6/14

ESIERRA ENGINEERING

TITLE: **Electronics Cover**

SIZE	DWG. NO.	REV
B	A45-009941	1

SCALE: 2:1 WEIGHT: SHEET 1 OF 1